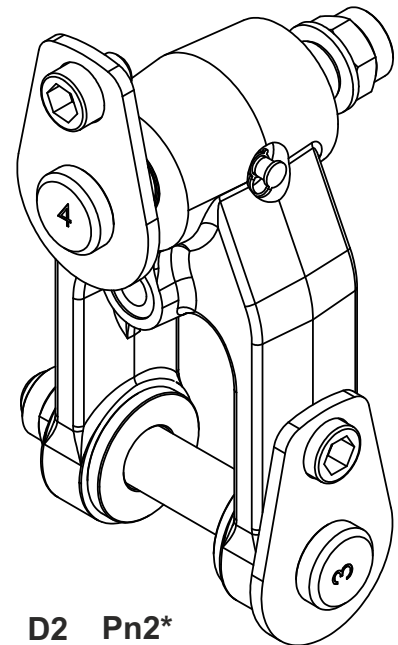
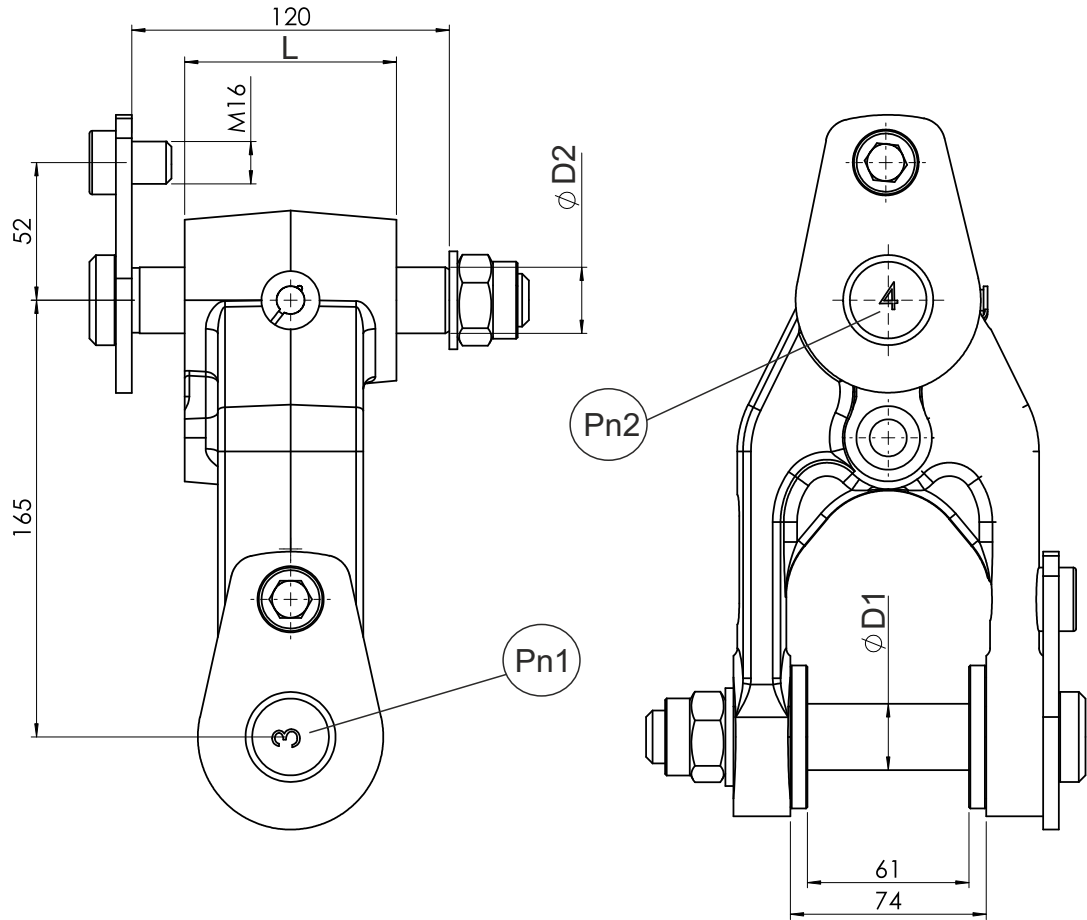


# 7044x-0B CL 73 LINK



MAX AXIAL LOAD STATIC [KN/lbf]	55	12364
MAX AXIAL LOAD DYNAMIC [KN/lbf]	25	5620
WEIGHT [kg/lb]	9	20

Order no	Item name	L	D1	Pn1*	D2	Pn2*
70448-0B	LINK CL 7325-8025	80	25	3	25	4
70443-0B	LINK CL 7325-9025	90	25	3	25	4
70444-0B	LINK CL 7325-8030	80	25	3	30	14
70445-0B	LINK CL 7325-9030	90	25	3	30	14
70449-0B	LINK CL 7330-8030	80	30	13	30	14
770443-0B	LINK CL 7330-9030	90	30	13	30	14
704432-0B	LINK CL 7330-9025	90	30	13	25	4

\*)marked on the end of the pin