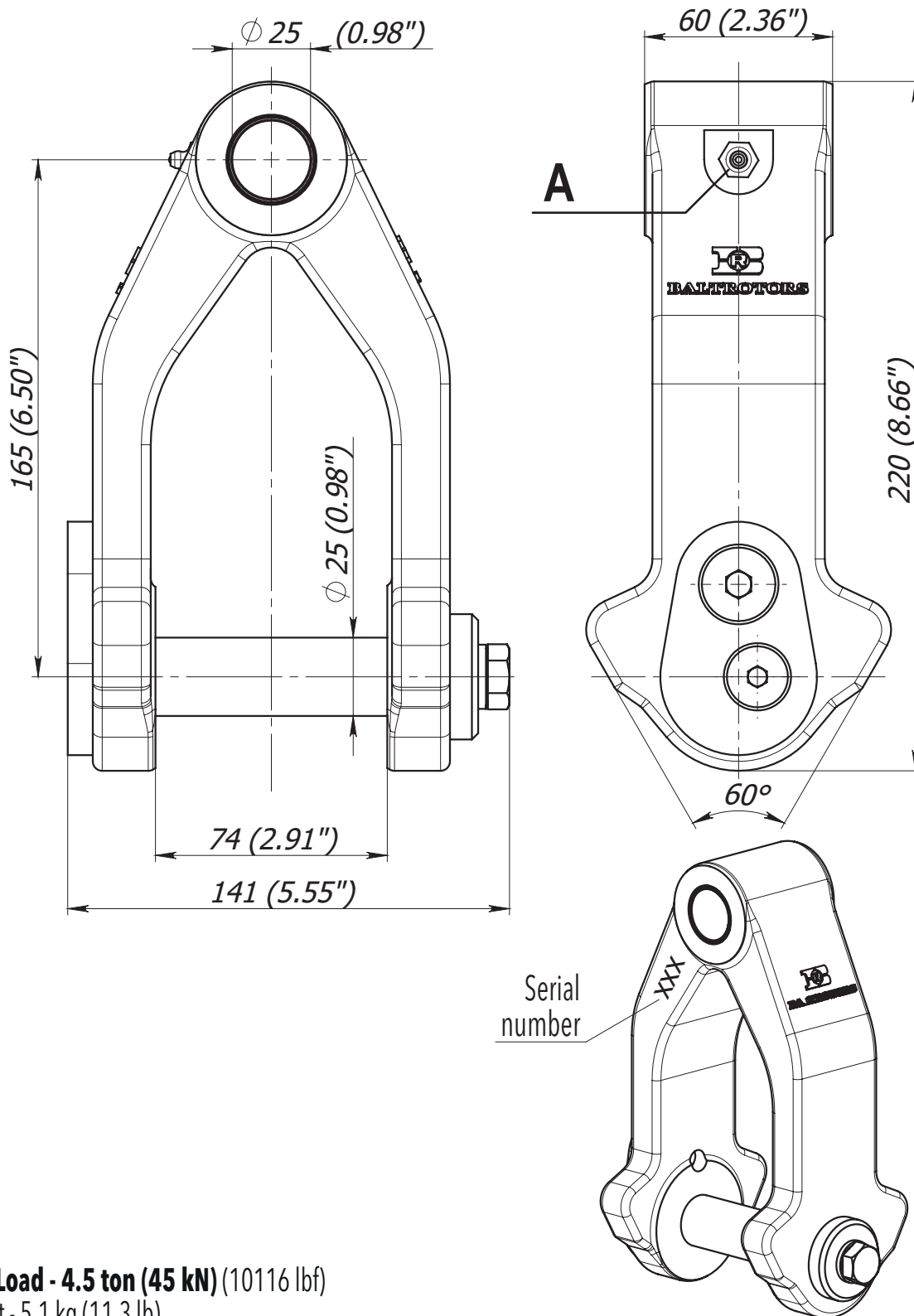


# LINK BRM1-73-01



**Max. Load - 4.5 ton (45 kN)** (10116 lbf)

Weight - 5.1 kg (11.3 lb)

Fill grease Statoil Uniway Li62 (or equivalent) through lubricating nipple (A), until it will appear to the external surfaces. Greasing must be repeated after every 8 working hours of the link.

13.07.2017